

# Bridge Rectifier

## **GBPC3504W**

400V / 35A

# DATASHEET

from

[www.web-bcs.com](http://www.web-bcs.com)

OEM – General Semiconductor

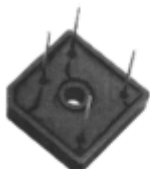
Source: General Semiconductor Databook 1998

# GBPC12, 15, 25 AND 35 SERIES

## GLASS PASSIVATED SINGLE-PHASE BRIDGE RECTIFIER

Reverse Voltage - 50 to 1000 Volts Current Voltage - 12.0 to 35.0 Amperes

GBPC - W Wire leads



GBPC - Standard



### FEATURES

- ◆ The plastic package has Underwriters Laboratory Flammability Classification 94V-0
- ◆ This series is UL recognized under component index, file number E54214
- ◆ Integrally molded heatsink provides very low thermal resistance for maximum heat dissipation
- ◆ Universal 3-way terminals; snap-on, wire wrap-around, or P.C.B. mounting
- ◆ High forward surge current capabilities
- ◆ Glass passivated chip junctions
- ◆ Typical  $I_R$  less than 0.3 $\mu$ A
- ◆ High temperature soldering guaranteed:  
260°C/10 seconds at 5lbs. (2.3 kg) tension

### MECHANICAL DATA

**Case:** Molded plastic with heatsink integrally mounted in the bridge encapsulation  
**Terminals:** Either plated 0.25" (6.35mm). Faston lugs or plated copper leads 0.040" (1.02mm) diameter. Suffix letter "W" added to indicate leads (e.g. GBPC12005W).  
**Mounting Position:** See NOTE 3  
**Polarity:** Polarity symbols molded on body  
**Mounting Torque:** 20 in. - lb. max. **Weight:** 0.53 ounce, 15 grams

### MAXIMUM RATINGS AND ELECTRICAL CHARACTERISTICS

Ratings at 25°C ambient temperature unless otherwise specified.

		GBPC12, 15, 25, 35								
		SYMBOLS	005	01	02	04	06	08	10	UNITS
Maximum repetitive peak reverse voltage		V <sub>RRM</sub>	50	100	200	400	600	800	1000	Volts
Maximum RMS voltage		V <sub>RMS</sub>	35	70	140	280	420	560	700	Volts
Maximum DC blocking voltage		V <sub>DC</sub>	50	100	200	400	600	800	1000	Volts
Maximum average forward rectified output current (SEE FIG. 1)	GBPC12 GBPC15 GBPC25 GBPC35	I <sub>(AV)</sub>				12.0 15.0 25.0 35.0				Amps
Peak forward surge current single sine-wave superimposed on rated load (JEDEC Method)	GBPC12 GBPC15 GBPC25 GBPC35	I <sub>FSM</sub>				200.0 300.0 300.0 400.0				Amps
Rating (non-repetitive, for t greater than 1ms and less than 8.3ms) for fusing	GBPC12 GBPC15 GBPC25 GBPC35	I <sub>t</sub>				160.0 375.0 375.0 660.0				A <sup>2</sup> sec
Maximum instantaneous forward voltage drop per leg at	GBPC12 I <sub>F</sub> =6.0A GBPC15 I <sub>F</sub> =7.5A GBPC25 I <sub>F</sub> =12.5A GBPC35 I <sub>F</sub> =17.5A	V <sub>F</sub>				1.1				Volts
Maximum reverse DC current at rated DC blocking voltage per leg	T <sub>A</sub> =25°C T <sub>A</sub> =125°C	I <sub>R</sub>				5.0 500.0				μA
RMS isolation voltage from case to leads		V <sub>ISO</sub>				2500.0				Volts
Typical junction capacitance per leg (NOTE 1)		C <sub>J</sub>				300.0				pF
Typical thermal resistance per leg (NOTE 2)	GBPC12-25 GBPC35	R <sub>θJC</sub>				1.9 1.4				°C/W
Operating junction storage temperature range		T <sub>J</sub> , T <sub>STG</sub>				-55 to +150				°C

**NOTES:**

- (1) Measured at 1.0 MHz and applied reverse voltage of 4.0 Volts
- (2) Thermal resistance from junction to case per leg
- (3) Bolt down on heat-sink with silicone thermal compound between bridge and mounting surface for maximum heat transfer efficiency with #10 screw

**RATINGS AND CHARACTERISTICS CURVES GBPC12, 15, 25 AND 35 SERIES**

FIG. 1 - MAXIMUM OUTPUT RECTIFIED CURRENT

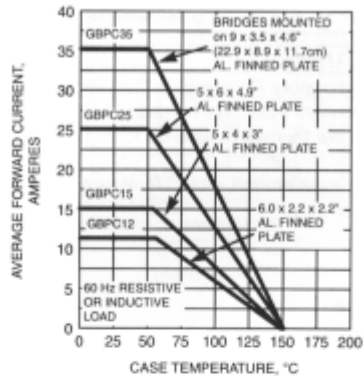


FIG. 2 - MAXIMUM OUTPUT RECTIFIED CURRENT

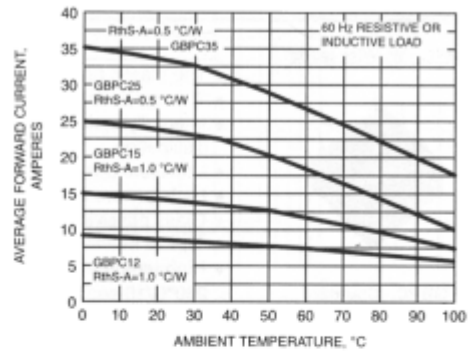


FIG. 3 - MAXIMUM POWER DISSIPATION

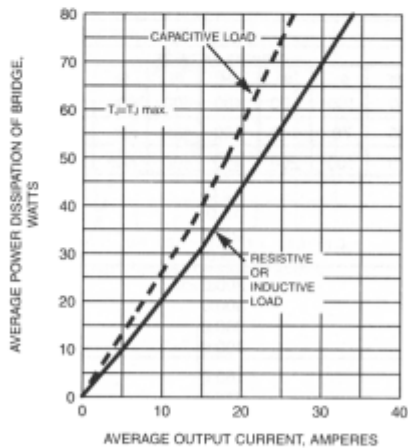
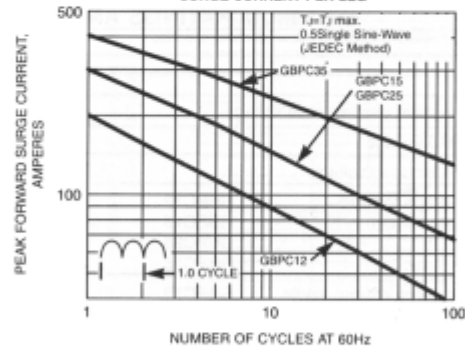


FIG. 4 - MAXIMUM NON-REPETITIVE PEAK FORWARD SURGE CURRENT PER LEG

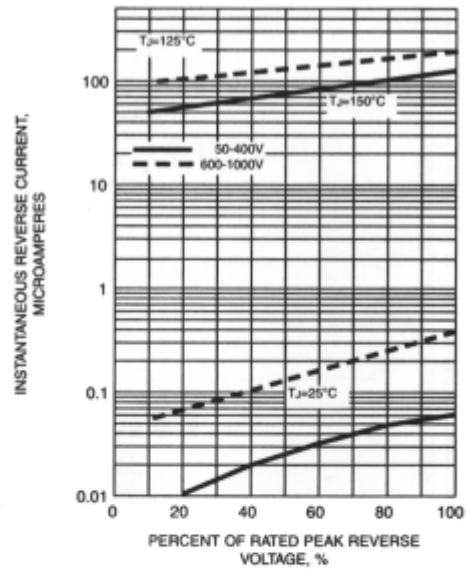


**RATINGS AND CHARACTERISTICS CURVES GBPC12, 15, 25 AND 35 SERIES**

**FIG. 5 - TYPICAL INSTANTANEOUS FORWARD CHARACTERISTICS PER LEG**



**FIG. 6 - TYPICAL REVERSE LEAKAGE CHARACTERISTICS PER LEG**



**FIG. 7 - TYPICAL JUNCTION CAPACITANCE PER LEG**



**FIG. 8 - TYPICAL TRANSIENT THERMAL IMPEDANCE PER LEG**

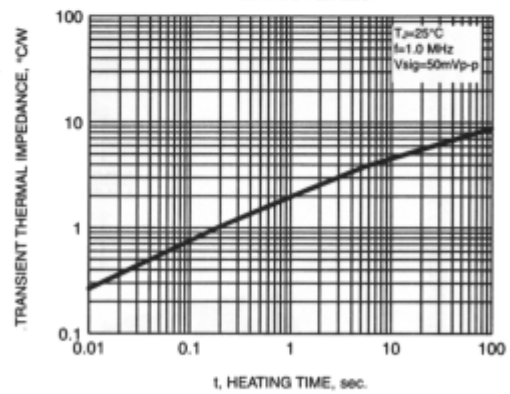


FIG. 9

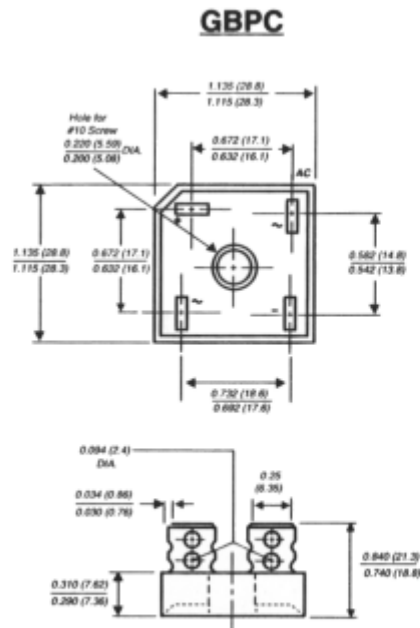
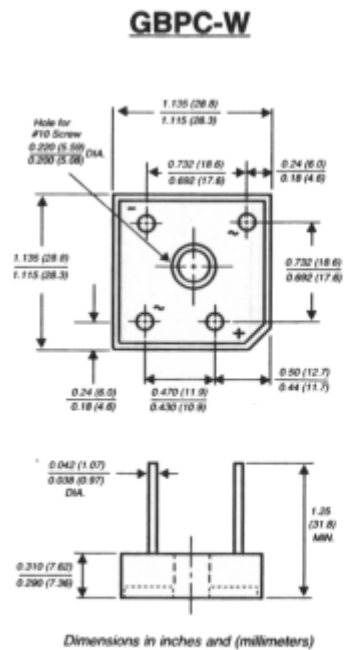


FIG. 10



**NOTES:**

- (1) Corrosion resistant terminals designed with 0.25" female quick connectors for wrap or snap-on
- (2) A thin film of silicone thermal compound is recommended between the bridge case and mounting surface for improved thermal conduction