

# Bridge Rectifier

## **2W06G**

600V / 1,5A

# DATASHEET

OEM – General Semiconductor

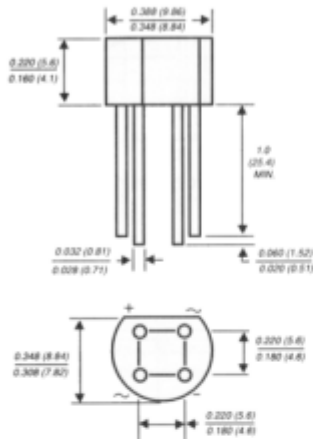
Source: General Semiconductor Databook 1998

# W005G THRU W10G

## GLASS PASSIVATED SINGLE-PHASE BRIDGE RECTIFIER

Reverse Voltage - 50 to 1000 Volts Forward Current - 1.5 Amperes

Case Style W0G



Dimensions in inches and (millimeters)

### FEATURES

- ◆ Plastic material has Underwriters Laboratory Flammability Recognition 94V-0
- ◆ This series is UL listed under the Recognized Component Index, file number E54214
- ◆ Glass passivated chip junctions
- ◆ High case dielectric strength
- ◆ Typical  $I_R$  less than  $0.1\mu A$
- ◆ High overload surge capability
- ◆ Ideal for printed circuit boards
- ◆ High temperature soldering guaranteed:  $260^\circ C/10$  seconds,  $0.375''$  (9.5mm) lead length, 5lbs (2.3kg) tension



### MECHANICAL DATA

**Case:** Molded plastic body over passivated junctions  
**Terminals:** Plated leads solderable per MIL-STD-750, Method 2026  
**Mounting Position:** Any  
**Weight:** 0.04 ounce, 1.1 grams

### MAXIMUM RATINGS AND ELECTRICAL CHARACTERISTICS

Ratings at  $25^\circ C$  ambient temperature unless otherwise specified.

	SYMBOLS	W005G	W01G	W02G	W04G	W06G	W08G	W10G	UNITS
Maximum repetitive peak reverse voltage	$V_{RRM}$	50	100	200	400	600	800	1000	Volts
Maximum RMS voltage	$V_{RMS}$	35	70	140	280	420	560	700	Volts
Maximum DC blocking voltage	$V_{DC}$	50	100	200	400	600	800	1000	Volts
Maximum average forward rectified current at $0.375''$ (9.5mm) lead length at $T_A=25^\circ C$	$I_{(AV)}$	1.5							Amps
Peak forward surge current single sine-wave superimposed on rated load (JEDEC Method)	$I_{FSM}$	50.0							Amps
Rating for fusing ( $t < 8.3ms$ )	$I^2t$	10.0							A <sup>2</sup> sec
Maximum instantaneous forward voltage drop per leg at 1.0A	$V_F$	1.0							Volts
Maximum DC reverse current at rated $T_A=25^\circ C$ DC blocking voltage per leg $T_A=125^\circ C$	$I_R$	5.0 500.0							$\mu A$
Typical junction capacitance per leg (NOTE 1)	$C_J$	14.0							pF
Typical thermal resistance per leg (NOTE 2)	$R_{\theta JA}$ $R_{\theta JL}$	36.0 11.0							$^\circ C/W$
Operating junction temperature range	$T_J$	-55 to +150							$^\circ C$
Storage temperature range	$T_{STG}$	-55 to +150							$^\circ C$

**NOTES:**

- (1) Measured at 1.0 MHz and applied reverse voltage of 4.0 Volts
- (2) Thermal resistance from junction to ambient and from junction to lead at  $0.375''$  (9.5mm) lead length P.C.B. mounting

**RATINGS AND CHARACTERISTICS CURVES W005G THRU W10G**

