

Bridge Rectifier

GBPC2510W

1000V / 25A

DATASHEET

from

www.web-bcs.com

OEM – General Semiconductor

Source: General Semiconductor Databook 1998

GBPC12, 15, 25 AND 35 SERIES

GLASS PASSIVATED SINGLE-PHASE BRIDGE RECTIFIER

Reverse Voltage - 50 to 1000 Volts Current Voltage - 12.0 to 35.0 Amperes

GBPC - W Wire leads



GBPC - Standard



FEATURES

- ◆ The plastic package has Underwriters Laboratory Flammability Classification 94V-0
- ◆ This series is UL recognized under component index, file number E54214
- ◆ Integrally molded heatsink provides very low thermal resistance for maximum heat dissipation
- ◆ Universal 3-way terminals; snap-on, wire wrap-around, or P.C.B. mounting
- ◆ High forward surge current capabilities
- ◆ Glass passivated chip junctions
- ◆ Typical I_R less than $0.3\mu A$
- ◆ High temperature soldering guaranteed:
260°C/10 seconds at 5lbs. (2.3 kg) tension

MECHANICAL DATA

Case: Molded plastic with heatsink integrally mounted in the bridge encapsulation
Terminals: Either plated 0.25" (6.35mm). Faston lugs or plated copper leads 0.040" (1.02mm) diameter. Suffix letter "W" added to indicate leads (e.g. GBPC12005W).
Mounting Position: See NOTE 3
Polarity: Polarity symbols molded on body
Mounting Torque: 20 in. - lb. max. **Weight:** 0.53 ounce, 15 grams

MAXIMUM RATINGS AND ELECTRICAL CHARACTERISTICS

Ratings at 25°C ambient temperature unless otherwise specified.

		GBPC12, 15, 25, 35										
		SYMBOLS	005	01	02	04	06	08	10	UNITS		
Maximum repetitive peak reverse voltage		V_{RRM}	50	100	200	400	600	800	1000	Volts		
Maximum RMS voltage		V_{RMS}	35	70	140	280	420	560	700	Volts		
Maximum DC blocking voltage		V_{DC}	50	100	200	400	600	800	1000	Volts		
Maximum average forward rectified output current (SEE FIG. 1)	GBPC12	$I_{(AV)}$								12.0	Amps	
	GBPC15									15.0		
	GBPC25									25.0		
	GBPC35									35.0		
Peak forward surge current single sine-wave superimposed on rated load (JEDEC Method)	GBPC12	I_{FSM}								200.0	Amps	
	GBPC15									300.0		
	GBPC25									300.0		
	GBPC35									400.0		
Rating (non-repetitive, for t greater than 1ms and less than 8.3ms) for fusing	GBPC12	I^2t								160.0	A ² sec	
	GBPC15									375.0		
	GBPC25									375.0		
	GBPC35									660.0		
Maximum instantaneous forward voltage drop per leg at	GBPC12	$I_F=6.0A$	V_F								1.1	Volts
	GBPC15	$I_F=7.5A$										
	GBPC25	$I_F=12.5A$										
	GBPC35	$I_F=17.5A$										
Maximum reverse DC current at rated DC blocking voltage per leg	$T_A=25^\circ C$	I_R								5.0	μA	
	$T_A=125^\circ C$									500.0		
RMS isolation voltage from case to leads		V_{ISO}								2500.0	Volts	
Typical junction capacitance per leg (NOTE 1)		C_J								300.0	pF	
Typical thermal resistance per leg (NOTE 2)	GBPC12-25	$R_{\theta JC}$								1.9	°C/W	
	GBPC35									1.4		
Operating junction storage temperature range		T_J, T_{STG}								-55 to +150	°C	

NOTES:

- (1) Measured at 1.0 MHz and applied reverse voltage of 4.0 Volts
- (2) Thermal resistance from junction to case per leg
- (3) Bolt down on heat-sink with silicone thermal compound between bridge and mounting surface for maximum heat transfer efficiency with #10 screw

RATINGS AND CHARACTERISTICS CURVES GBPC12, 15, 25 AND 35 SERIES

FIG. 1 - MAXIMUM OUTPUT RECTIFIED CURRENT

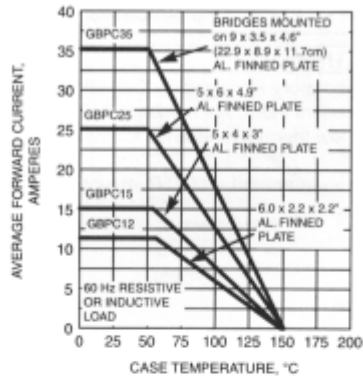


FIG. 2 - MAXIMUM OUTPUT RECTIFIED CURRENT

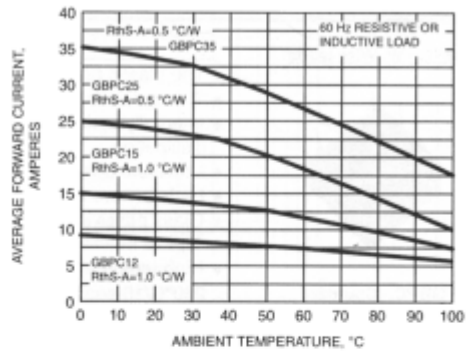


FIG. 3 - MAXIMUM POWER DISSIPATION

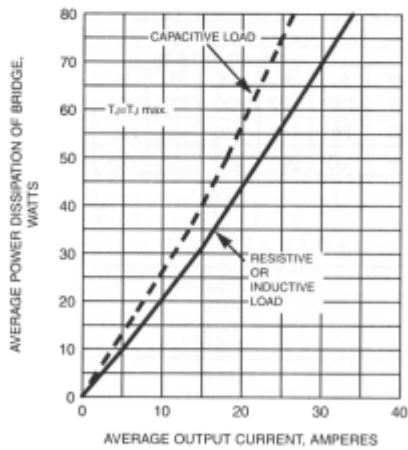
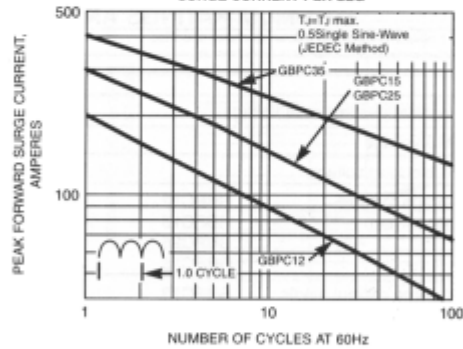


FIG. 4 - MAXIMUM NON-REPETITIVE PEAK FORWARD SURGE CURRENT PER LEG



RATINGS AND CHARACTERISTICS CURVES GBPC12, 15, 25 AND 35 SERIES

FIG. 5 - TYPICAL INSTANTANEOUS FORWARD CHARACTERISTICS PER LEG



FIG. 6 - TYPICAL REVERSE LEAKAGE CHARACTERISTICS PER LEG

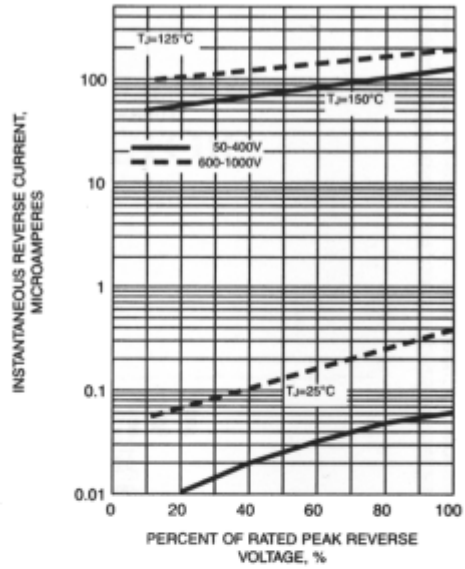


FIG. 7 - TYPICAL JUNCTION CAPACITANCE PER LEG



FIG. 8 - TYPICAL TRANSIENT THERMAL IMPEDANCE PER LEG

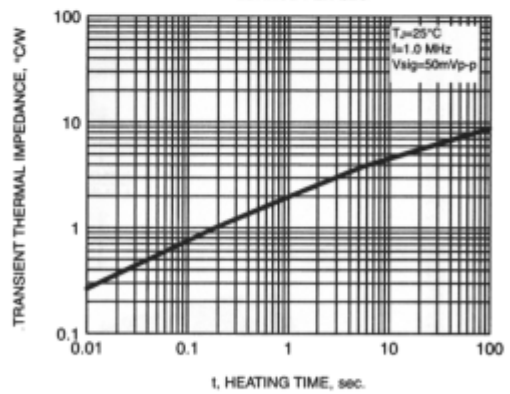


FIG. 9

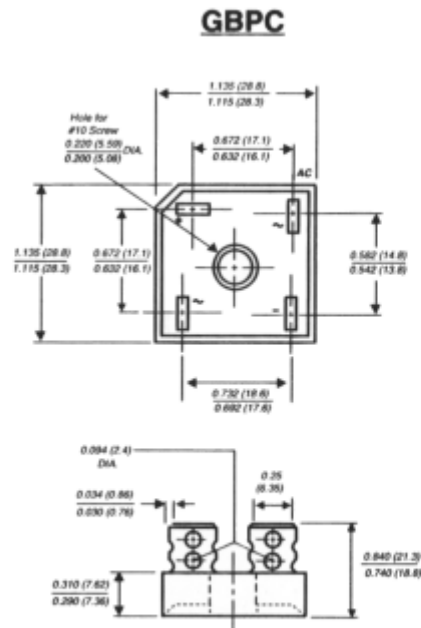
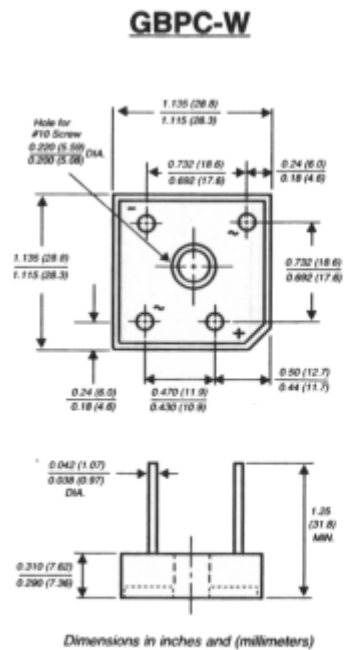


FIG. 10



NOTES:

- (1) Corrosion resistant terminals designed with 0.25" female quick connectors for wrap or snap-on
- (2) A thin film of silicone thermal compound is recommended between the bridge case and mounting surface for improved thermal conduction