

# Zener - Diode

## **GLL4736**

( GLL4735 thru 4763A Series )

6.8V / 1W / 10%



# DATASHEET

from

[www.web-bcs.com](http://www.web-bcs.com)

OEM – General Semiconductor

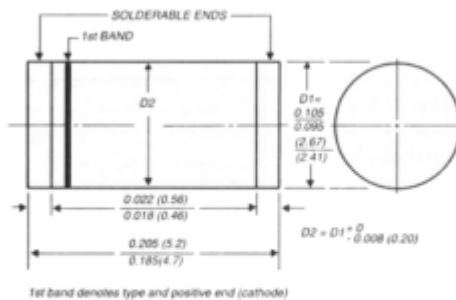
Source: General Semiconductor Databook 1998

# GLL4735 THRU GLL4763A

## SURFACE MOUNT GLASS PASSIVATED ZENER

Zener Voltage - 6.2 to 91.0 Volts      Steady State Power - 1.0 Watt

DO-213AB



Dimensions are in inches and (millimeters)

### FEATURES

- ◆ Plastic package has Underwriters Laboratory Flammability Classification 94V-0
- ◆ For surface mounted applications
- ◆ Glass passivated chip junction
- ◆ Low zener impedance
- ◆ Low regulation factor
- ◆ High temperature soldering guaranteed: 250°C/10 seconds at terminals



### MECHANICAL DATA

**Case:** JEDEC DO-213AB molded plastic over passivated junction

**Terminals:** Solder plated, solderable per MIL-STD-750, Method 2026

**Polarity:** Red band denotes zener diode and positive end (cathode)

**Mounting Position:** Any

**Weight:** 0.0046 ounce, 0.116 gram

### MAXIMUM RATINGS AND ELECTRICAL CHARACTERISTICS

Ratings at 25°C ambient temperature unless otherwise specified

OPERATING JUNCTION AND STORAGE TEMPERATURE RANGE: T<sub>J</sub>, T<sub>STG</sub>: -55°C to +150°C

TYPE	NOMINAL ZENER VOLTAGE AT I <sub>ZT</sub> (NOTE 1) V <sub>Z</sub> (Volts)	TEST CURRENT I <sub>ZT</sub> (mA)	MAXIMUM DYNAMIC IMPEDANCE			MAXIMUM DC REVERSE LEAKAGE CURRENT		MAXIMUM ZENER CURRENT (NOTE 2) I <sub>ZM</sub> (mA <sub>pk</sub> )	MAXIMUM FORWARD VOLTAGE at 200mA V <sub>F</sub> (Volts)
			Z <sub>z</sub> at I <sub>ZT</sub> (Ohms)	Z <sub>zk</sub> at I <sub>ZK</sub> (Ohms)	I <sub>ZK</sub> (mA)	I <sub>n</sub> (µA)	V <sub>n</sub> (Volts)		
GLL4735	6.2	41.0	2.0	700	1.0	50.0	3.0	730.0	1.2
GLL4736	6.8	37.0	3.5	700	1.0	10.0	4.0	660.0	1.2
GLL4737	7.5	34.0	4.0	700	0.5	10.0	5.0	605.0	1.2
GLL4738	8.2	31.0	4.5	700	0.5	10.0	6.0	550.0	1.2
GLL4739	9.1	28.0	5.0	700	0.5	10.0	7.0	500.0	1.2
GLL4740	10	25.0	7.0	700	0.25	10.0	7.6	454.0	1.2
GLL4741	11	23.0	8.0	700	0.25	5.0	8.4	414.0	1.2
GLL4742	12	21.0	9.0	700	0.25	5.0	9.1	380.0	1.2
GLL4743	13	19.0	10.0	700	0.25	5.0	9.9	344.0	1.2
GLL4744	15	17.0	14.0	700	0.25	5.0	11.4	305.0	1.2
GLL4745	16	15.5	16.0	700	0.25	5.0	12.2	285.0	1.2
GLL4746	18	14.0	20.0	750	0.25	5.0	13.7	250.0	1.2
GLL4747	20	12.5	22.0	750	0.25	5.0	15.2	225.0	1.2
GLL4748	22	11.5	23.0	750	0.25	5.0	16.7	205.0	1.2
GLL4749	24	10.5	25.0	750	0.25	5.0	18.2	190.0	1.2
GLL4750	27	9.5	35.0	750	0.25	5.0	20.6	170.0	1.2
GLL4751	30	8.5	40.0	1000	0.25	5.0	22.8	150.0	1.2
GLL4752	33	7.5	45.0	1000	0.25	5.0	25.1	135.0	1.2
GLL4753	36	7.0	50.0	1000	0.25	5.0	27.4	125.0	1.2
GLL4754	39	6.5	60.0	1000	0.25	5.0	29.7	115.0	1.2
GLL4755	43	6.0	70.0	1500	0.25	5.0	32.7	110.0	1.2
GLL4756	47	5.5	80.0	1500	0.25	5.0	35.8	95.0	1.2
GLL4757	51	5.0	95.0	1500	0.25	5.0	38.8	90.0	1.2
GLL4758	56	4.5	110.0	2000	0.25	5.0	42.6	80.0	1.2
GLL4759	62	4.0	125.0	2000	0.25	5.0	47.1	70.0	1.2
GLL4760	68	3.7	150.0	2000	0.25	5.0	51.7	65.0	1.2
GLL4761	75	3.3	175.0	2000	0.25	5.0	56.0	60.0	1.2
GLL4762	82	3.0	200.0	3000	0.25	5.0	62.2	55.0	1.2
GLL4763	91	2.0	250.0	3000	0.25	5.0	69.2	50.0	1.2

**NOTES:**

- (1) Standard voltage tolerance is ±10%, Suffix A = ±5%
- (2) Surge current is a non-repetitive, 8.3ms pulse with square wave or equivalent sine-wave superimposed on I<sub>ZT</sub> per JEDEC Method
- (3) Maximum steady state power dissipation is 1.0 watt at T<sub>J</sub>=75°C

**RATINGS AND CHARACTERISTIC CURVES GLL4735 THRU GLL4763A**

