

Zener - Diode

GLL4737

(GLL4735 thru 4763A Series)

7.5V / 1W / 10%



DATASHEET

from

www.web-bcs.com

OEM – General Semiconductor

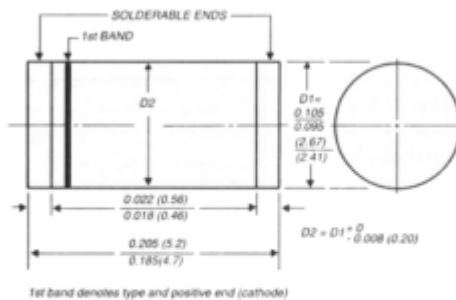
Source: General Semiconductor Databook 1998

GLL4735 THRU GLL4763A

SURFACE MOUNT GLASS PASSIVATED ZENER

Zener Voltage - 6.2 to 91.0 Volts Steady State Power - 1.0 Watt

DO-213AB



Dimensions are in inches and (millimeters)

FEATURES

- ◆ Plastic package has Underwriters Laboratory Flammability Classification 94V-0
- ◆ For surface mounted applications
- ◆ Glass passivated chip junction
- ◆ Low zener impedance
- ◆ Low regulation factor
- ◆ High temperature soldering guaranteed: 250°C/10 seconds at terminals



MECHANICAL DATA

Case: JEDEC DO-213AB molded plastic over passivated junction

Terminals: Solder plated, solderable per MIL-STD-750, Method 2026

Polarity: Red band denotes zener diode and positive end (cathode)

Mounting Position: Any

Weight: 0.0046 ounce, 0.116 gram

MAXIMUM RATINGS AND ELECTRICAL CHARACTERISTICS

Ratings at 25°C ambient temperature unless otherwise specified

OPERATING JUNCTION AND STORAGE TEMPERATURE RANGE: T_J, T_{STG}: -55°C to +150°C

| TYPE | NOMINAL ZENER VOLTAGE AT I _{ZT} (NOTE 1) V _Z (Volts) | TEST CURRENT I _{ZT} (mA) | MAXIMUM DYNAMIC IMPEDANCE | | | MAXIMUM DC REVERSE LEAKAGE CURRENT | | MAXIMUM ZENER CURRENT (NOTE 2) I _{ZM} (mA _{pk}) | MAXIMUM FORWARD VOLTAGE at 200mA V _F (Volts) |
|---------|--|--------------------------------------|---|--|-------------------------|------------------------------------|---------------------------|--|---|
| | | | Z _z at I _{ZT} (Ohms) | Z _{zk} at I _{ZK} (Ohms) | I _{ZK} (mA) | I _n (µA) | V _n (Volts) | | |
| GLL4735 | 6.2 | 41.0 | 2.0 | 700 | 1.0 | 50.0 | 3.0 | 730.0 | 1.2 |
| GLL4736 | 6.8 | 37.0 | 3.5 | 700 | 1.0 | 10.0 | 4.0 | 660.0 | 1.2 |
| GLL4737 | 7.5 | 34.0 | 4.0 | 700 | 0.5 | 10.0 | 5.0 | 605.0 | 1.2 |
| GLL4738 | 8.2 | 31.0 | 4.5 | 700 | 0.5 | 10.0 | 6.0 | 550.0 | 1.2 |
| GLL4739 | 9.1 | 28.0 | 5.0 | 700 | 0.5 | 10.0 | 7.0 | 500.0 | 1.2 |
| GLL4740 | 10 | 25.0 | 7.0 | 700 | 0.25 | 10.0 | 7.6 | 454.0 | 1.2 |
| GLL4741 | 11 | 23.0 | 8.0 | 700 | 0.25 | 5.0 | 8.4 | 414.0 | 1.2 |
| GLL4742 | 12 | 21.0 | 9.0 | 700 | 0.25 | 5.0 | 9.1 | 380.0 | 1.2 |
| GLL4743 | 13 | 19.0 | 10.0 | 700 | 0.25 | 5.0 | 9.9 | 344.0 | 1.2 |
| GLL4744 | 15 | 17.0 | 14.0 | 700 | 0.25 | 5.0 | 11.4 | 305.0 | 1.2 |
| GLL4745 | 16 | 15.5 | 16.0 | 700 | 0.25 | 5.0 | 12.2 | 285.0 | 1.2 |
| GLL4746 | 18 | 14.0 | 20.0 | 750 | 0.25 | 5.0 | 13.7 | 250.0 | 1.2 |
| GLL4747 | 20 | 12.5 | 22.0 | 750 | 0.25 | 5.0 | 15.2 | 225.0 | 1.2 |
| GLL4748 | 22 | 11.5 | 23.0 | 750 | 0.25 | 5.0 | 16.7 | 205.0 | 1.2 |
| GLL4749 | 24 | 10.5 | 25.0 | 750 | 0.25 | 5.0 | 18.2 | 190.0 | 1.2 |
| GLL4750 | 27 | 9.5 | 35.0 | 750 | 0.25 | 5.0 | 20.6 | 170.0 | 1.2 |
| GLL4751 | 30 | 8.5 | 40.0 | 1000 | 0.25 | 5.0 | 22.8 | 150.0 | 1.2 |
| GLL4752 | 33 | 7.5 | 45.0 | 1000 | 0.25 | 5.0 | 25.1 | 135.0 | 1.2 |
| GLL4753 | 36 | 7.0 | 50.0 | 1000 | 0.25 | 5.0 | 27.4 | 125.0 | 1.2 |
| GLL4754 | 39 | 6.5 | 60.0 | 1000 | 0.25 | 5.0 | 29.7 | 115.0 | 1.2 |
| GLL4755 | 43 | 6.0 | 70.0 | 1500 | 0.25 | 5.0 | 32.7 | 110.0 | 1.2 |
| GLL4756 | 47 | 5.5 | 80.0 | 1500 | 0.25 | 5.0 | 35.8 | 95.0 | 1.2 |
| GLL4757 | 51 | 5.0 | 95.0 | 1500 | 0.25 | 5.0 | 38.8 | 90.0 | 1.2 |
| GLL4758 | 56 | 4.5 | 110.0 | 2000 | 0.25 | 5.0 | 42.6 | 80.0 | 1.2 |
| GLL4759 | 62 | 4.0 | 125.0 | 2000 | 0.25 | 5.0 | 47.1 | 70.0 | 1.2 |
| GLL4760 | 68 | 3.7 | 150.0 | 2000 | 0.25 | 5.0 | 51.7 | 65.0 | 1.2 |
| GLL4761 | 75 | 3.3 | 175.0 | 2000 | 0.25 | 5.0 | 56.0 | 60.0 | 1.2 |
| GLL4762 | 82 | 3.0 | 200.0 | 3000 | 0.25 | 5.0 | 62.2 | 55.0 | 1.2 |
| GLL4763 | 91 | 2.0 | 250.0 | 3000 | 0.25 | 5.0 | 69.2 | 50.0 | 1.2 |

NOTES:

- (1) Standard voltage tolerance is ±10%, Suffix A = ±5%
- (2) Surge current is a non-repetitive, 8.3ms pulse width square wave or equivalent sine-wave superimposed on I_{ZT} per JEDEC Method
- (3) Maximum steady state power dissipation is 1.0 watt at T_J=75°C

RATINGS AND CHARACTERISTIC CURVES GLL4735 THRU GLL4763A

