

# Silicon Diode

## **1N3613**

600V / 1A

# DATASHEET

OEM – Unitrode

Source: Unitrode Databook 1989-1990

# RECTIFIERS

Military Approved, 1 Amp,  
General Purpose

JAN & JANTX 1N3611-1N3614

**FEATURES**

- Qualified to MIL-S-19500/228
- Continuous Rating: 1A
- Surge Rating: 30A
- PIV: to 800V

**DESCRIPTION**

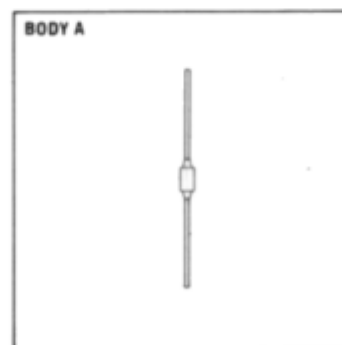
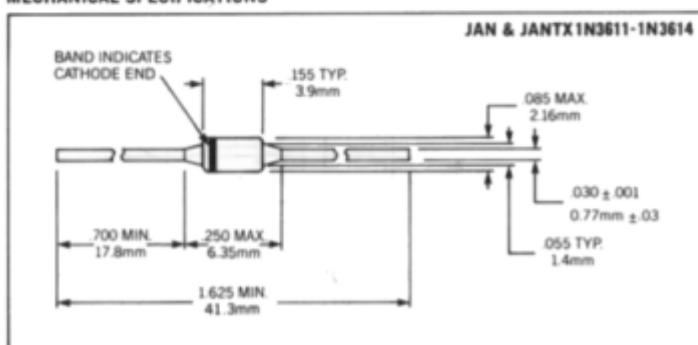
This series of MIL approved JAN and JANTX general purpose 1 amp rectifiers are useful in many high rel applications.

**ABSOLUTE MAXIMUM RATINGS**

Peak Reverse Voltage Min.	Reverse Working Voltage	Type
240V	200V	JAN & JANTX 1N3611
480V	400V	JAN & JANTX 1N3612
720V	600V	JAN & JANTX 1N3613
920V	800V	JAN & JANTX 1N3614

Maximum Average D.C. Output Current  
 @  $T_A = 100^\circ\text{C}$  ..... 1.0A  
 @  $T_A = 150^\circ\text{C}$  ..... 0.3A  
 Non-Repetitive Sinusoidal  
 Surge Current (8.3ms) ..... 30A  
 Operating Temperature Range .....  $-65^\circ\text{C}$  to  $+175^\circ\text{C}$   
 Storage Temperature Range .....  $-65^\circ\text{C}$  to  $+200^\circ\text{C}$   
 Thermal Resistance ..... See Lead Temperature Derating Curve

**MECHANICAL SPECIFICATIONS**



THESE DEVICES ALSO AVAILABLE IN SURFACE MOUNT PACKAGE. SEE SECTION 11.

JAN & JANTX 1N3611- 1N3614

**ELECTRICAL SPECIFICATIONS (at 25°C unless noted)**

Type	Peak Reverse D.C. Voltage	Minimum Reverse Breakdown Voltage @ 100µA	Peak Forward Voltage		Maximum D.C. Reverse Current at D.C. Voltage	
			Min.	Max.	25°C	150°C
JAN & JANTX 1N3611	200V	240V	0.6V @ 1.0A	1.1V(pk)	1µA	300µA
JAN & JANTX 1N3612	400V	480V				
JAN & JANTX 1N3613	600V	720V				
JAN & JANTX 1N3614	800V	920V				

